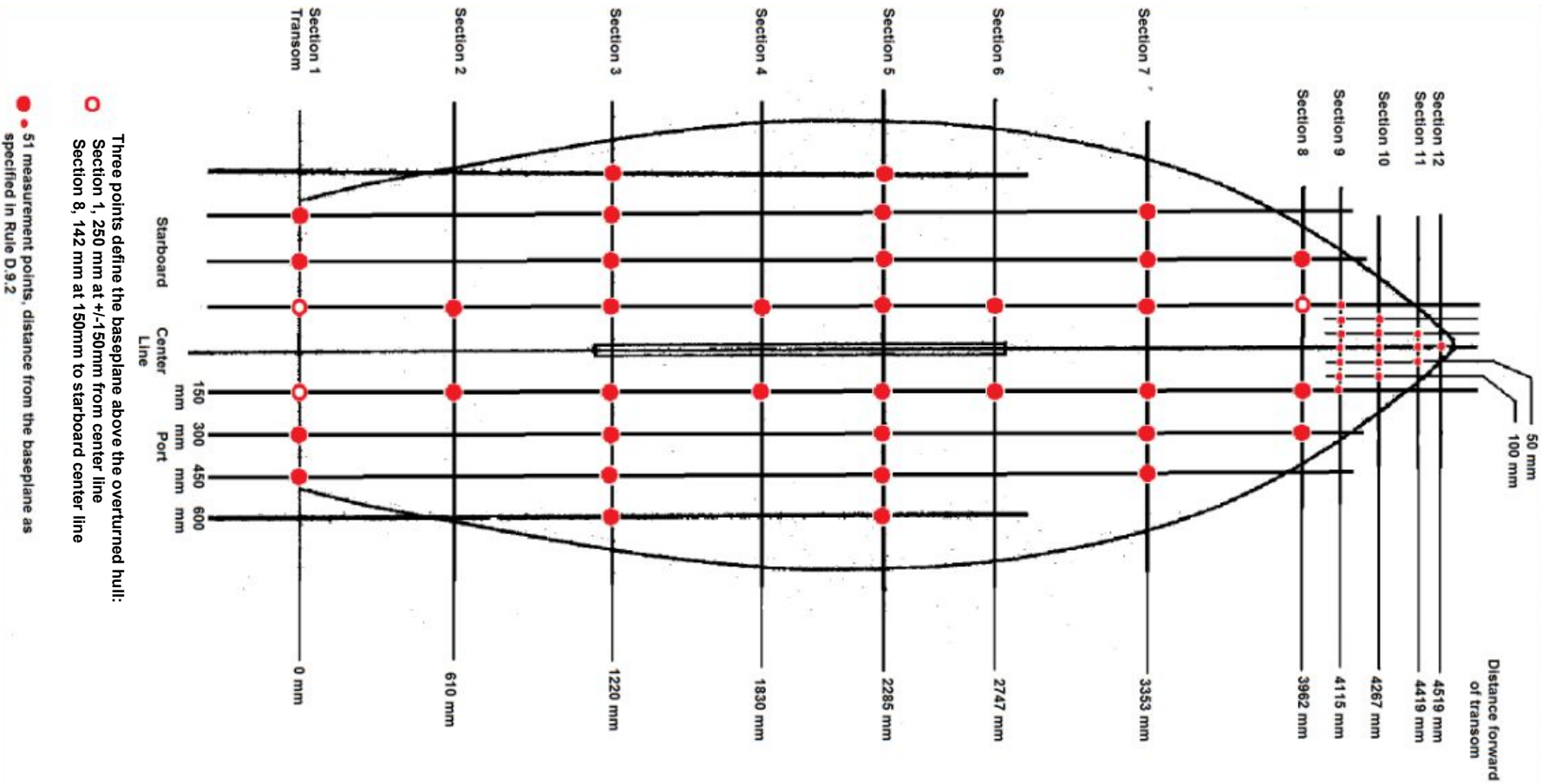


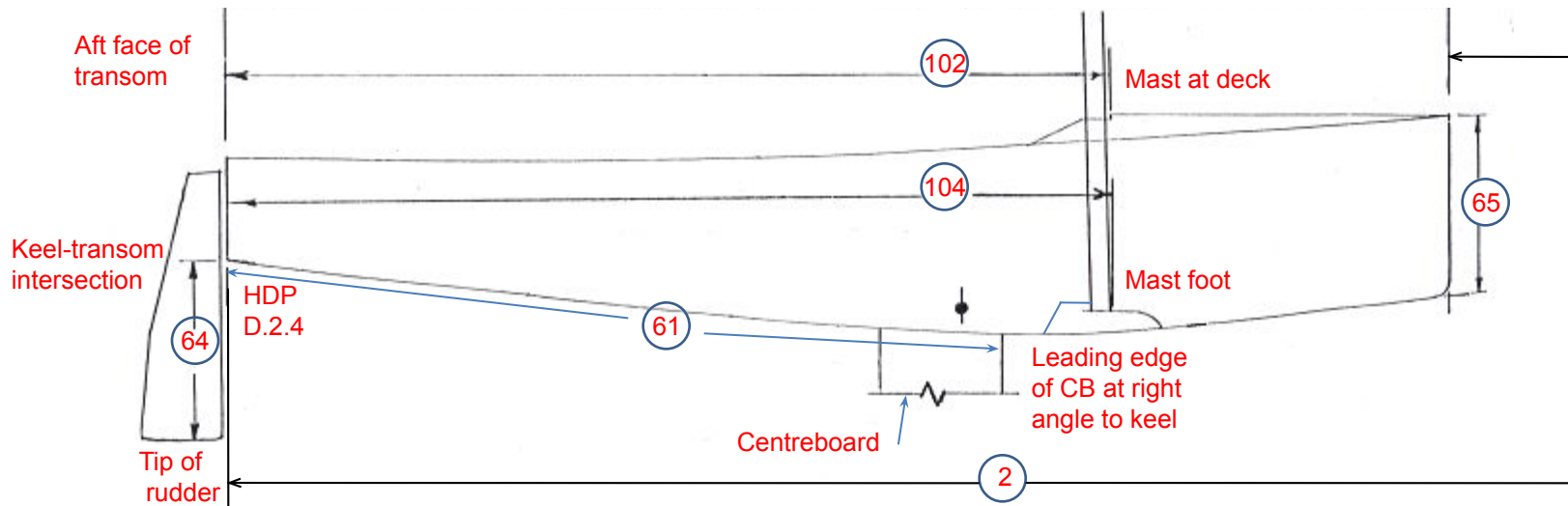
IAA Measurement Guide - 2020

- The drawings herein are intended to aid Albacore Class measurers and members in applying the IAA Rules for the preparation of the Rules Measurement Form or to ensure any changes or replacements conform to the Rules. .
- If discrepancies arise, the Rules take precedence.
- Not all items in the Form have drawings in this document. See the final page for a list. Contact your Chief Measurer if you are uncertain as to how to perform any of these measurements.
- Most of the drawings were originally done prior to 1985 by CAA. Those materials were essential in preparation of this document. Updating for Rules changes, rewrites according to ISAF recommendations and renumbering are the primary purpose of this Guide.
- A Measurement Guide developed after 1995 has been available to CAA measurers, but the copyright owner (not CAA or IAA) has limited its distribution and reproduction. No such limits are placed on this IAA Guide.

Bottom View – Locations of Hull Offset Measurements

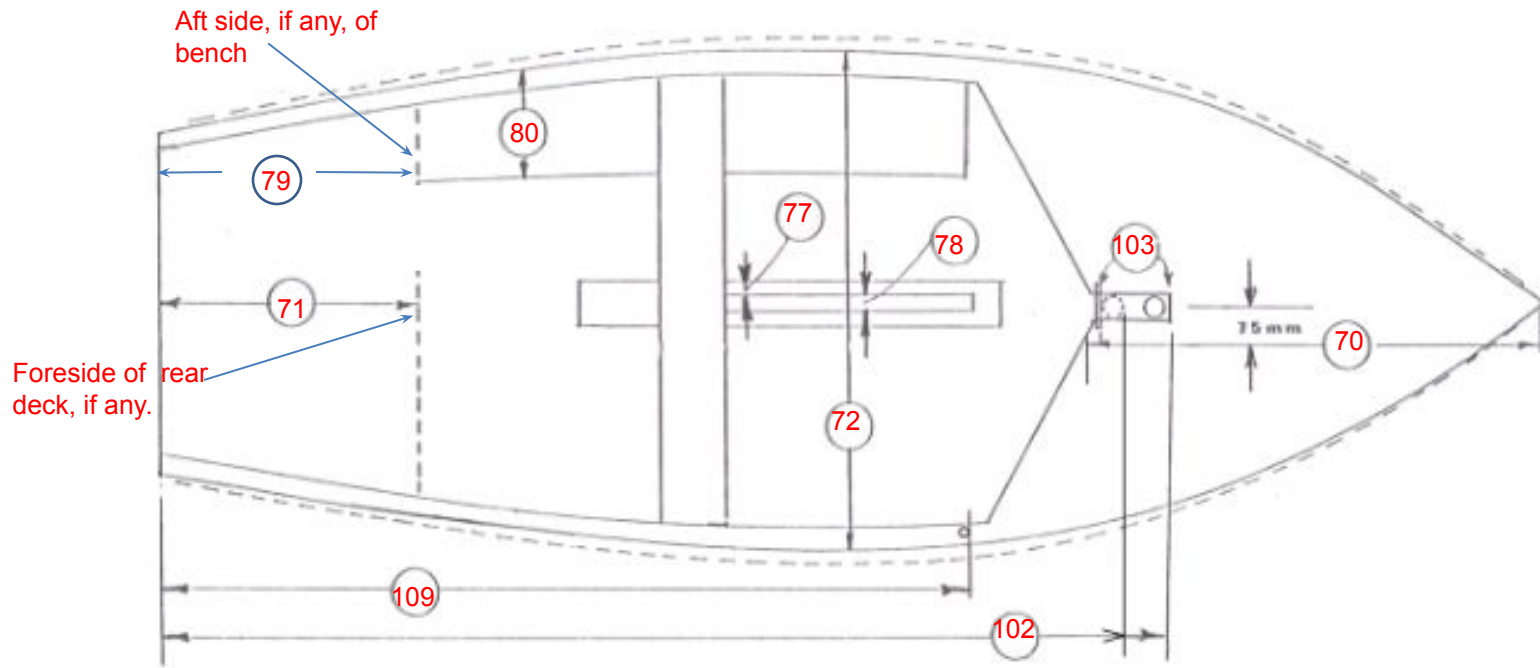


Side View



Item 2 is measured along the BL
Item 61 is measured along the keel
Item 102 is also shown in Deck and Interior
View

Deck and Interior View



Items 70, 71, 72, 79, 109 – measure to outside of hull.

Item 77 – thickness of trunk excluding cap.

Item 80 – seat width from inside of hull.

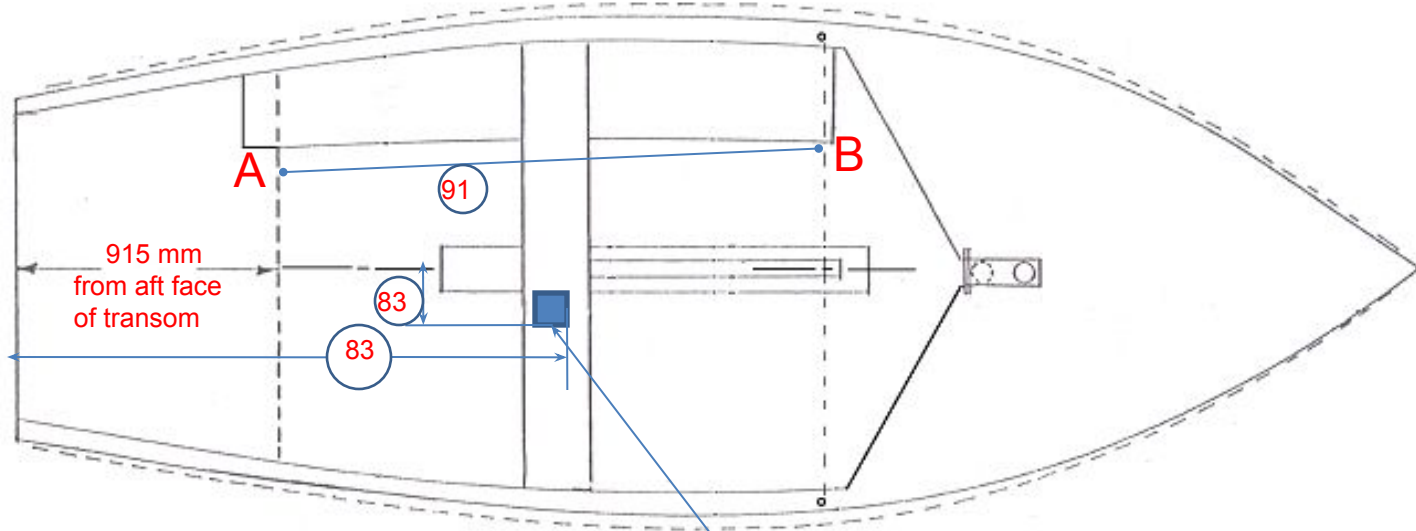
Item 102 – measure at the forward side of mast at the **foremost and aft** most mast positions allowed by rigid stops (Item 103).

Item 109 – measure to fore side of through deck hole.

Items 77 and 79 – see also on Hull Cross Section drawing

Buoyancy

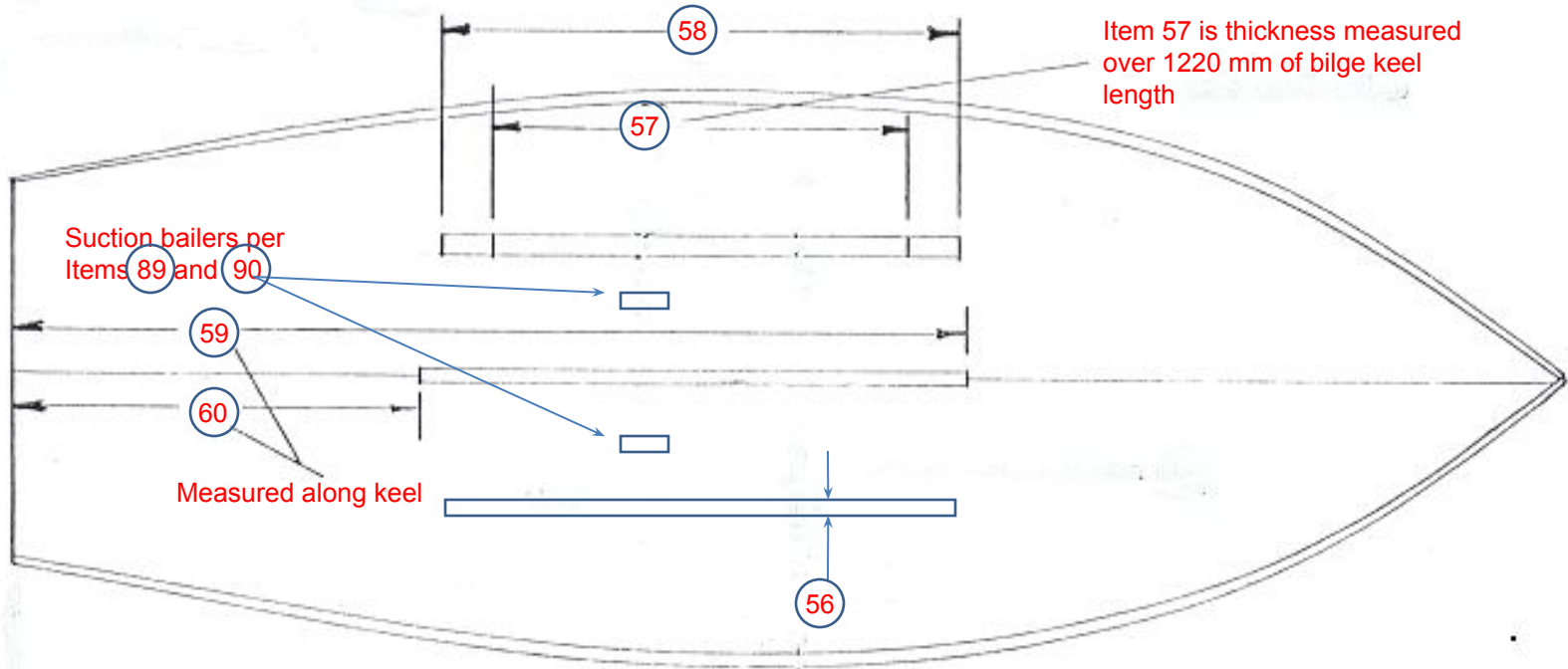
Item 91 – Buoyancy/buoyancy tanks shall not extend past the A-B line when the seat/tank is horizontal.



Point A – 305 mm from centreline
Point B – 355 mm from
centreline
Point B is along a line
between the foresides
of the shroud holes

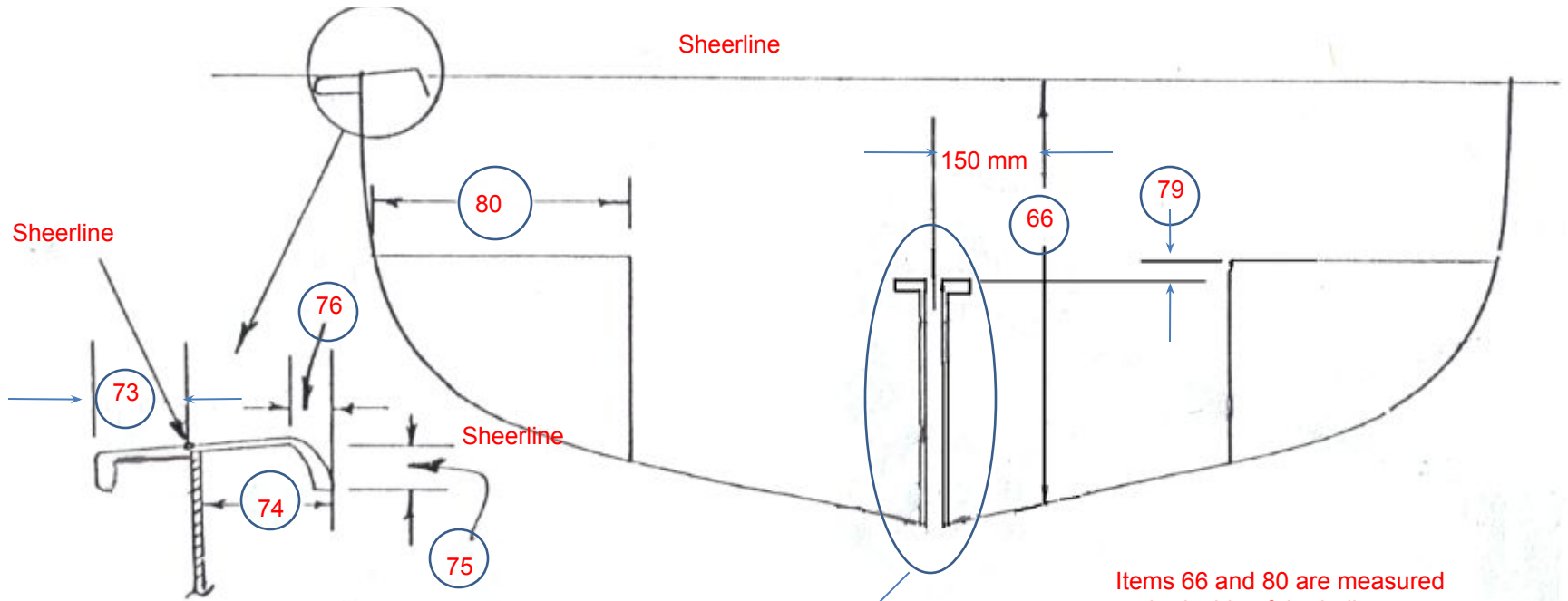
Item 83: Correctors – max 5kg total forward of transom.
Max 140 mm from centerline.
Max 2400 mm from aft face of transom.
Remainder of 9kg max affixed to transom.

Hull Bottom View



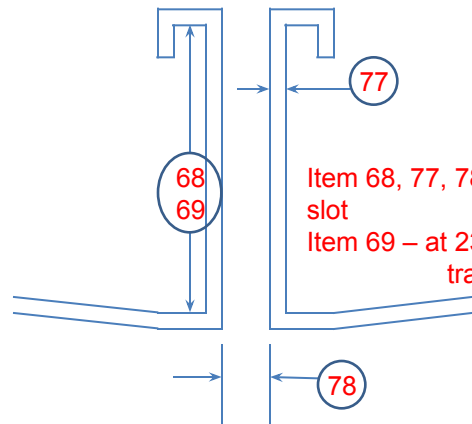
Item 89 – Max of 2 bails
Item 90 – Max total area of bails, 1300 mm²

Hull Cross section



Items 66 and 80 are measured to the inside of the hull

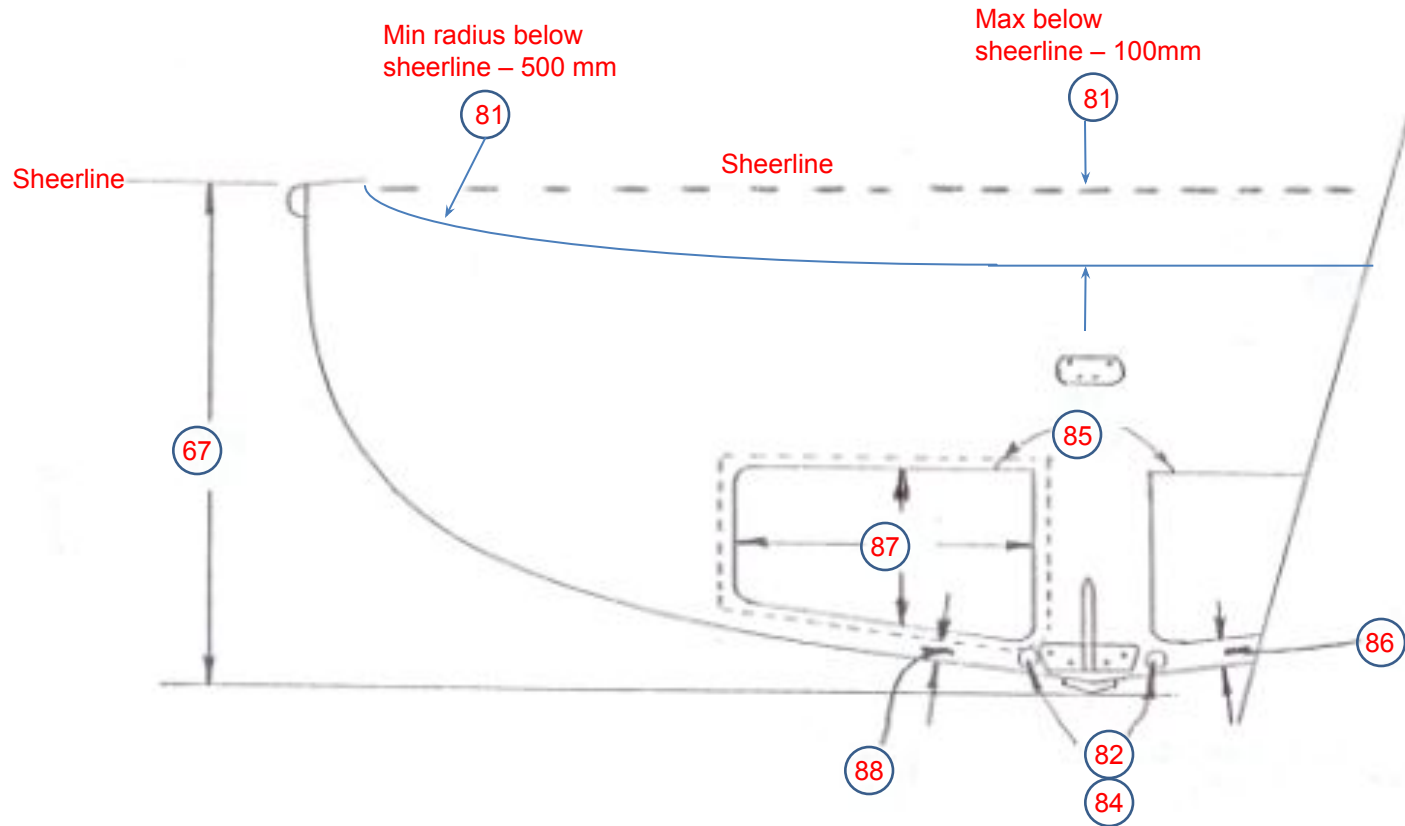
Items 77 and 79 – see also on Deck and Interior View drawing



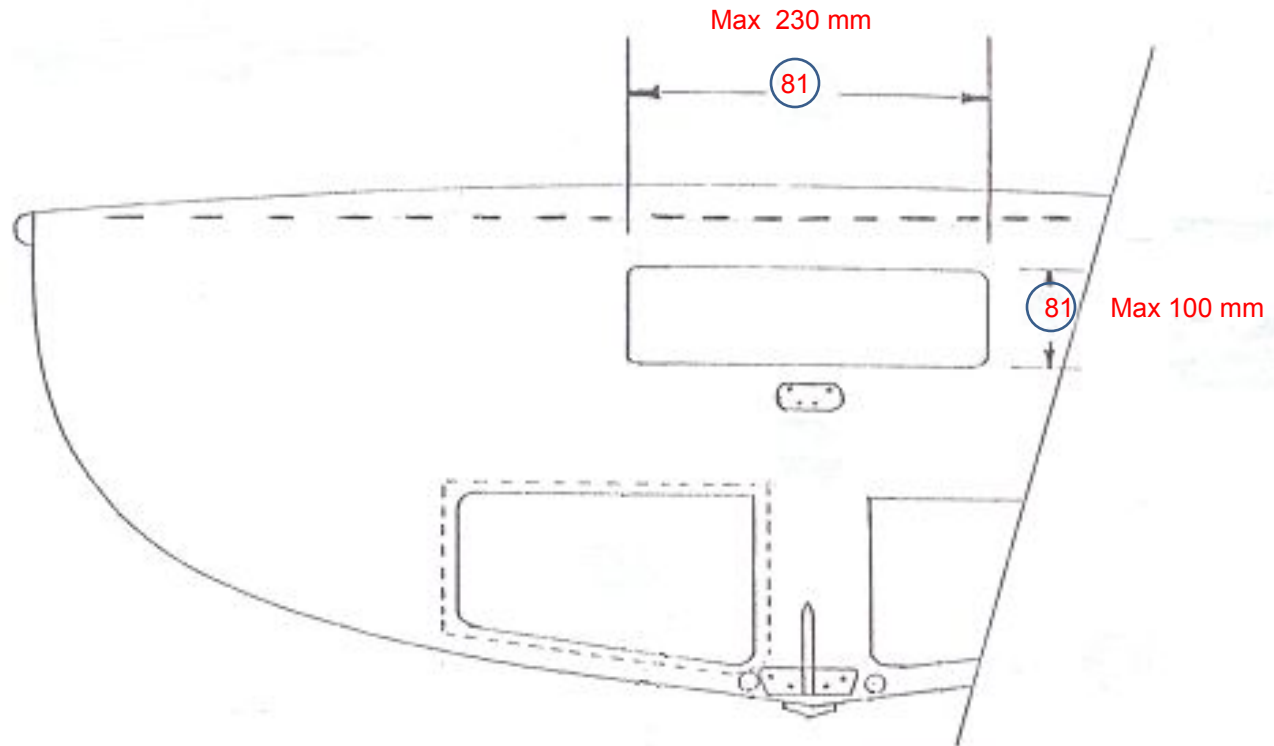
Item 68, 77, 78 – over full length of CB slot

Item 69 – at 2300mm from aft face of transom

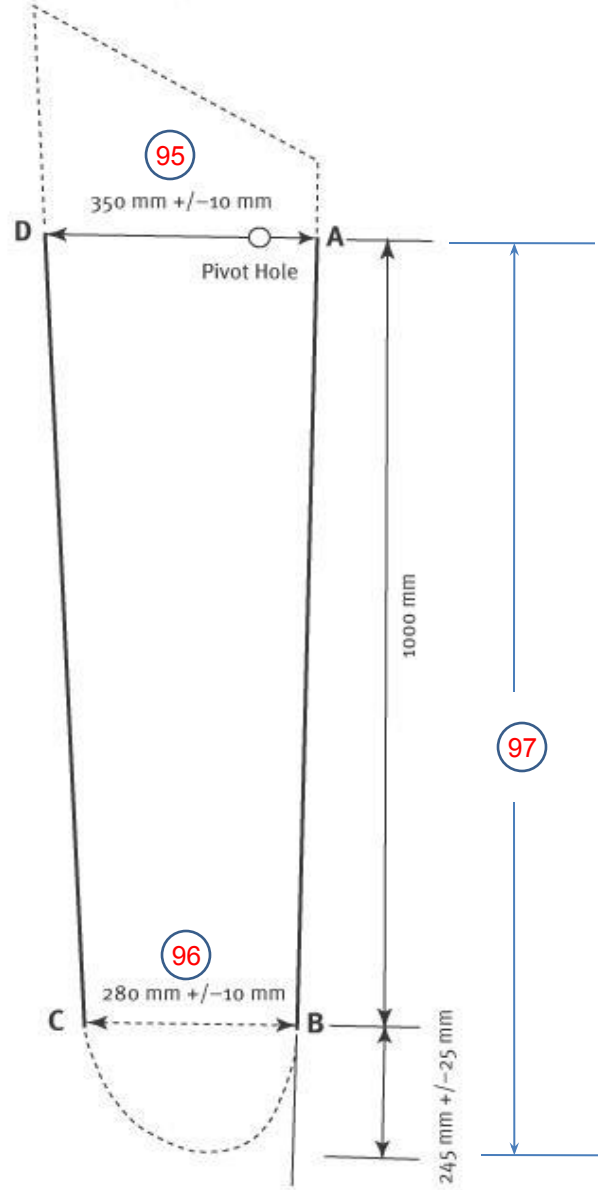
Transom Curved – NoTiller Port



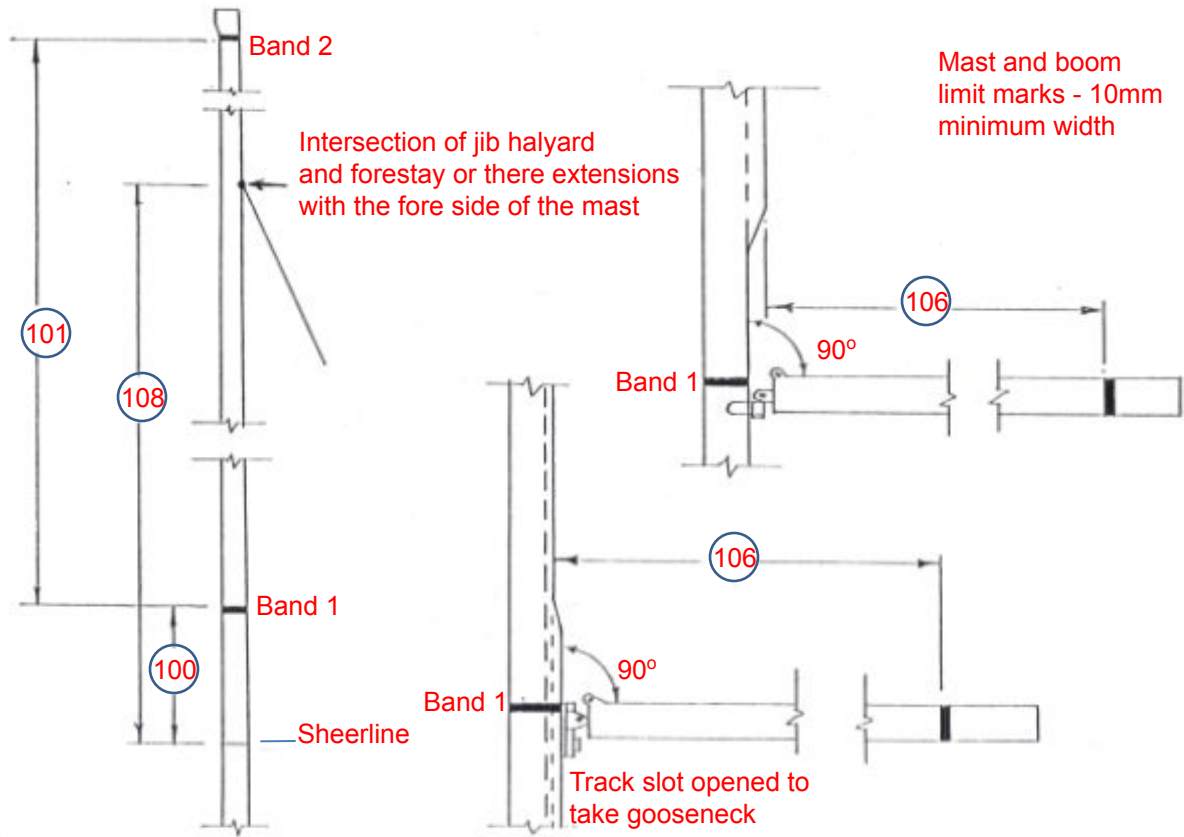
Transom With Tiller Port



Centreboard Profile



Mast and Boom



Mainsail - Overall

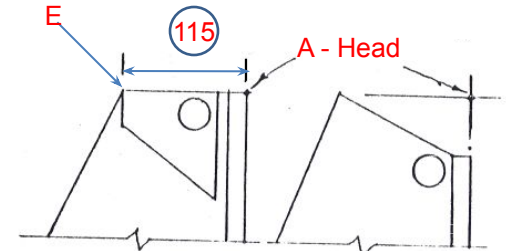
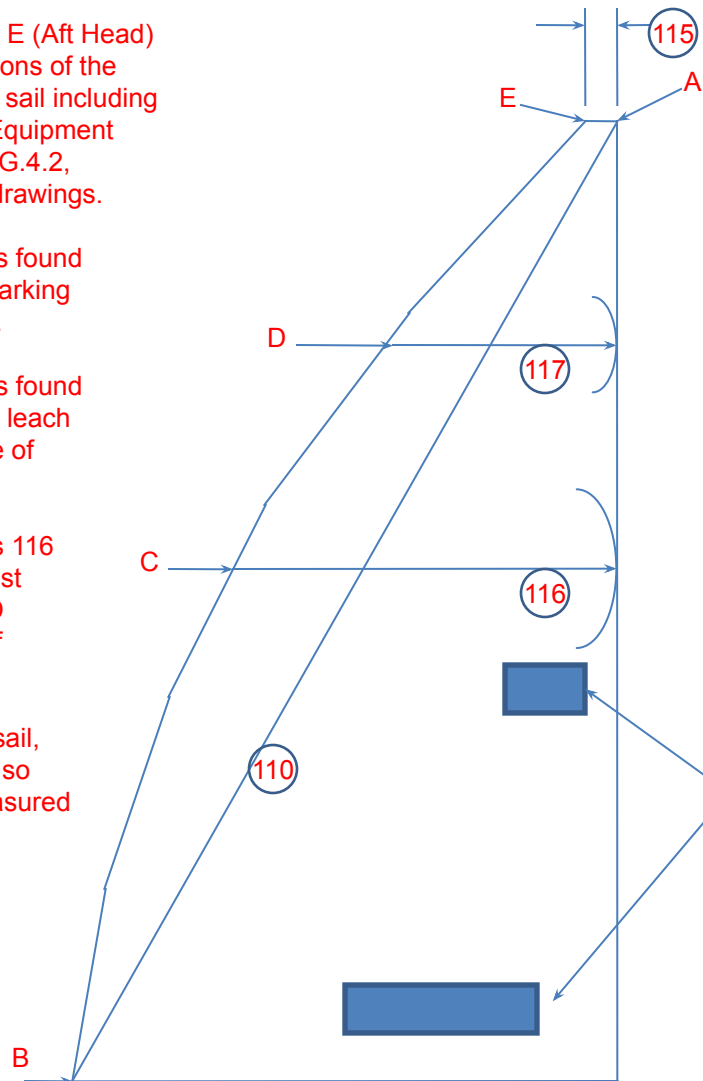
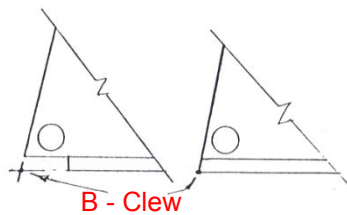
A (Head), B (Clew) and E (Aft Head) are straight line extensions of the Outer most parts of the sail including bolt ropes. See ISAF Equipment Rules of Sailing G.4.1, G.4.2, and G.4.3 for detailed drawings.

The leach $\frac{1}{2}$ point (C) is found by folding A to B and marking the crease of the leach.

The leach $\frac{3}{4}$ point (D) is found by folding A to C on the leach and marking the crease of the leach.

$\frac{1}{2}$ and $\frac{3}{4}$ lengths (Items 116 and 117) are the shortest distances from C and D to the outside of the luff respectively.

When measuring Mainsail, apply sufficient tension so that material being measured is smooth.



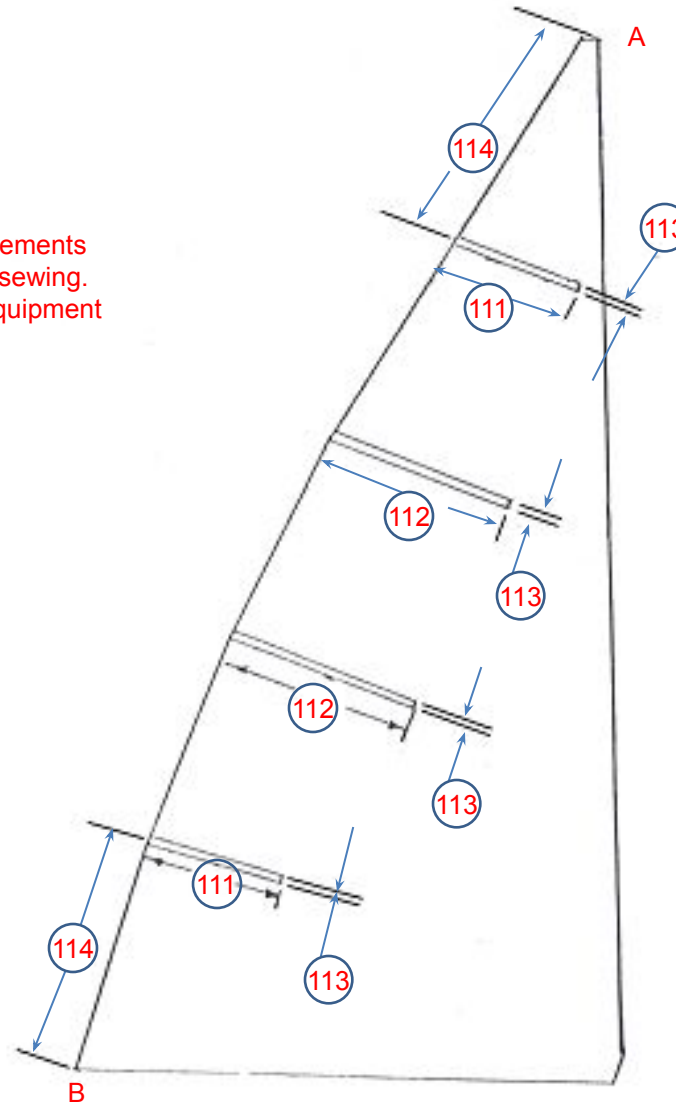
Item 110 is the A-B length
Item 115 is the A-E length

117A Windows

Mainsail – Batten Pockets

Items 111, 112 and 113 – inside measurements of pockets are between inner edges of sewing. Detailed views are given in the ISAF Equipment Rules of Sailing, G.8.1 and G.8.2.

Item 114 – measured from corner of sail to center of pocket. Allowed range, 1175 mm to 1224 mm.



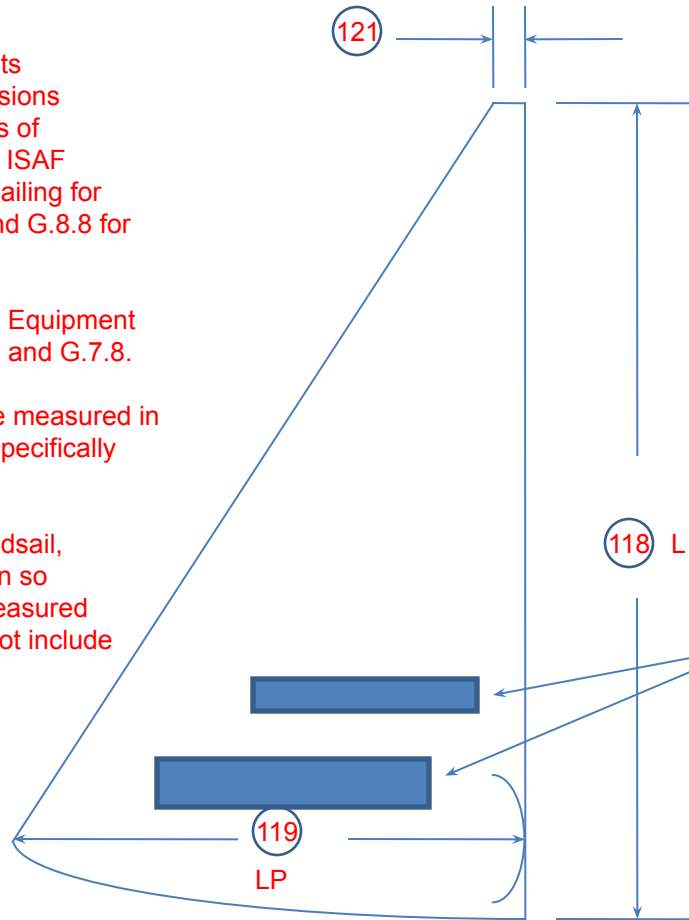
Headsail

All measurement points are straight line extensions of the outer most parts of the sail material. See ISAF Equipment Rules of Sailing for G.4.1, G.4.2, G.4.3 and G.8.8 for detailed drawings.

Item 120A - See ISAF Equipment Rules of Sailing G.5.5 and G.7.8.

Items 118 and 119 are measured in mm but need not be specifically listed on the Form.

When measuring Headsail, apply sufficient tension so that material being measured is smooth. LP does not include any fullness.



Items 118 and 121 – exclude top attachment

120 - $LP \times L / 2,000,000 \text{ m}^2$
rounded up to 0.001 m^2
(L and LP in mm)

The following Items are not included in the drawings for this Guide:

1 – Inspection item

3, 4 – Wood hull only

62, 63 – Metal Centreboard only

92 – Buoyancy test

93, 94 – Hull weight

99, 105 – Mast and boom size - self explanatory

107 – Headsail pole – self explanatory

122 – Fully rigged weight